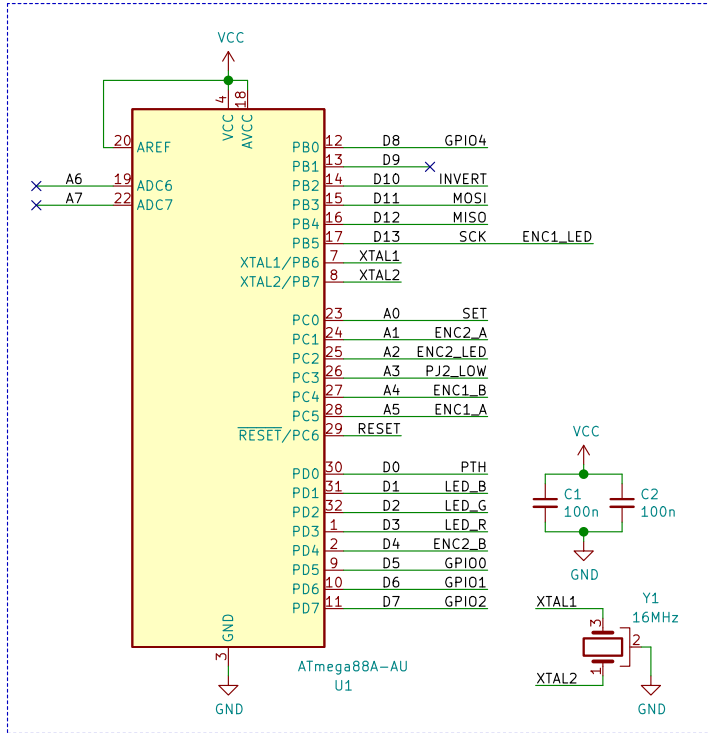
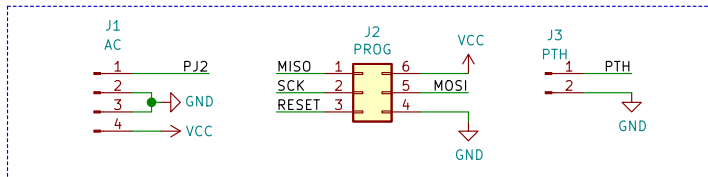


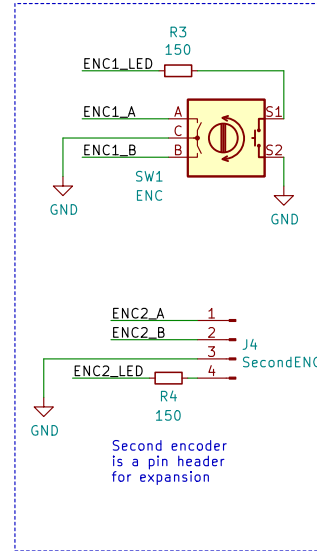
ATmega88 breakout



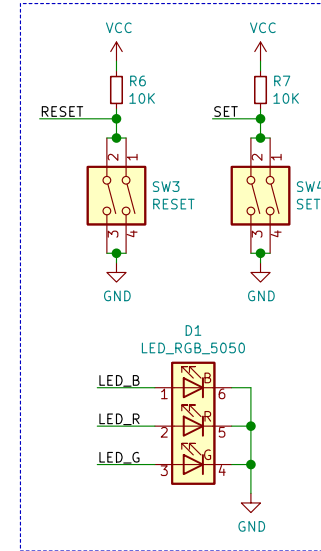
Connectors



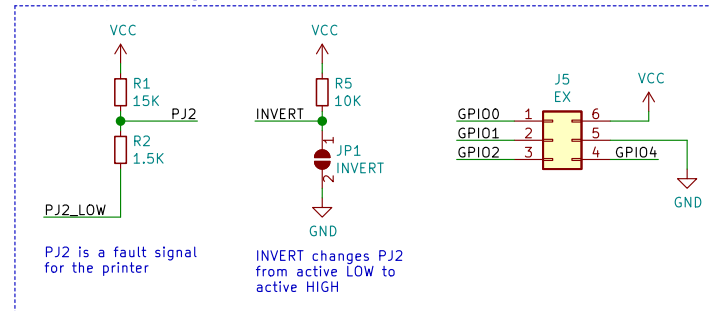
Rotary encoders



Human interface



Output signals



<https://asav.dev/filmon>

Sheet: /
File: filmon.sch

Title: Filament monitor

Size: A4 Date: 2022-01-14
KiCad E.D.A. kicad 5.1.9+dfsg1-1

Rev: A
Id: 1/1