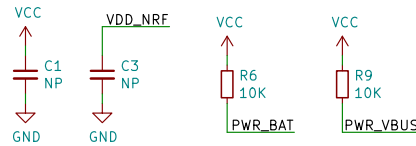
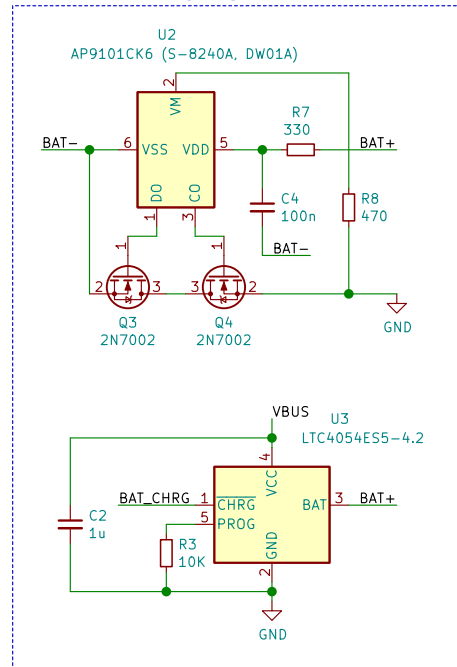
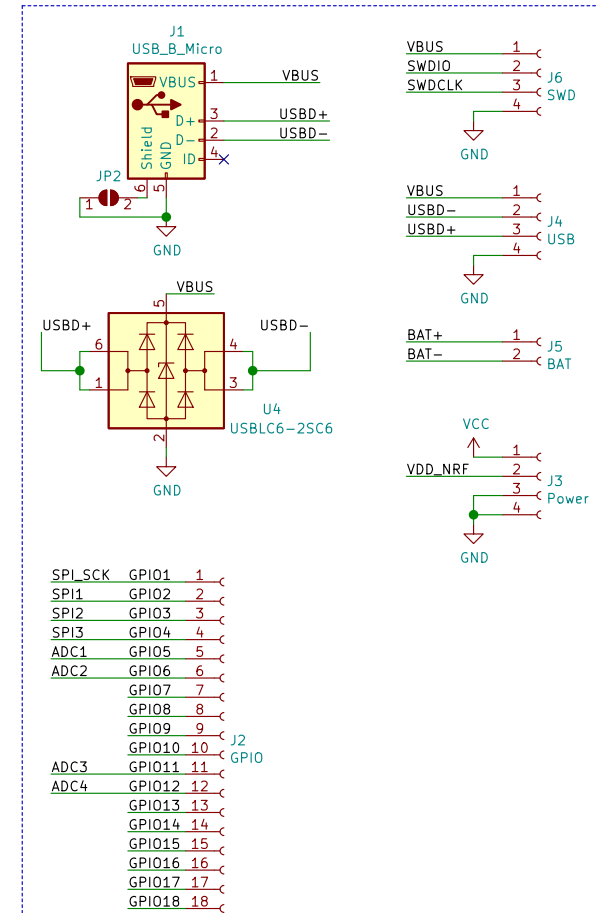


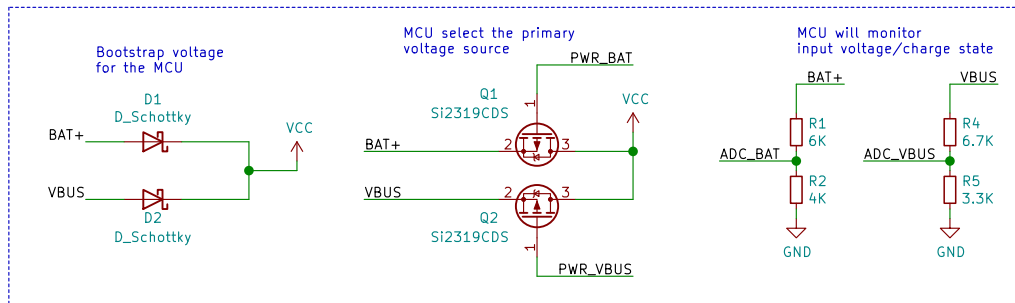
### Battery protection and charging



### Connectors



### Power source selection



<https://asav.dev/nrfkbd>

Sheet: /  
File: nrfkbd-holy.sch

**Title: nRFkbd - Holyiot-18039**

Size: A4 Date: 2022-01-06

KiCad E.D.A. kicad 5.1.9+dfsg1-1

Rev: A

Id: 1/1