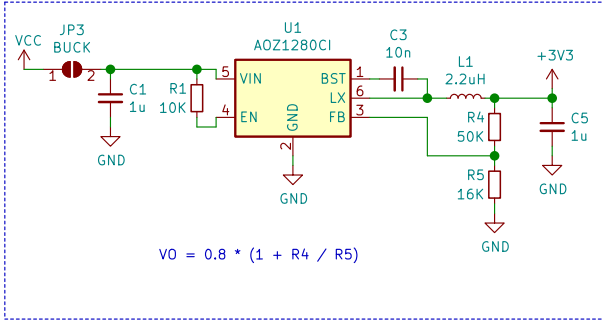
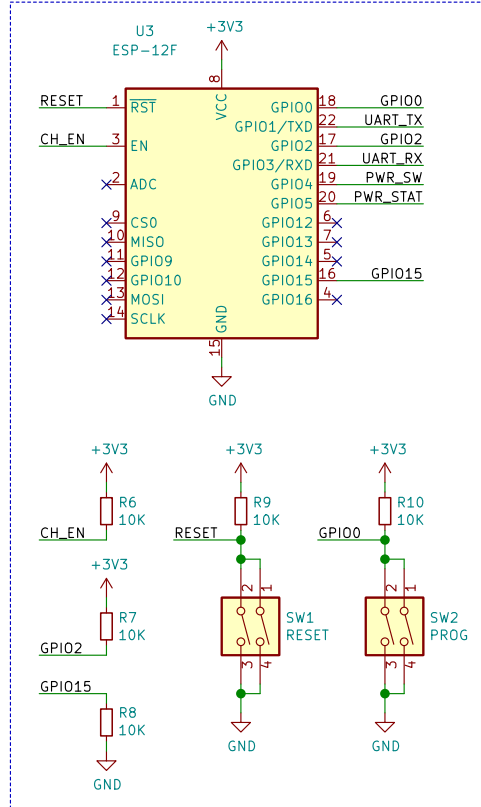


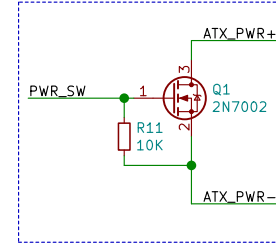
Buck converter 5V (or 12V) -> 3.3V



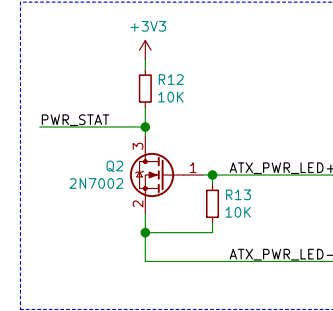
ESP8266 breakout board: use ESP-12F or ESP-07 if you need an external antenna.



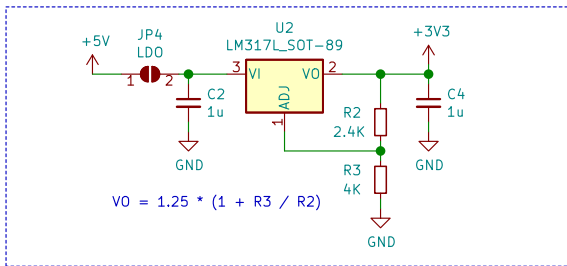
Switch power ON/OFF



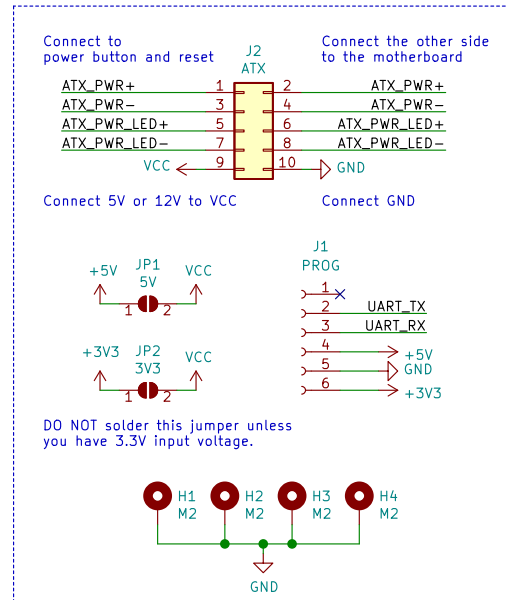
Status of the power LED



Linear regulator 5V -> 3.3V - compare efficiency vs the buck regulator



Connectors



<https://asav.dev/pcswitch>

Sheet: /
File: pcswitch.sch

Title: PC Switch

Size: A4 Date: 2022-01-05
KiCad E.D.A. kicad 5.1.9+dfsg1-1

Rev: A
Id: 1/1