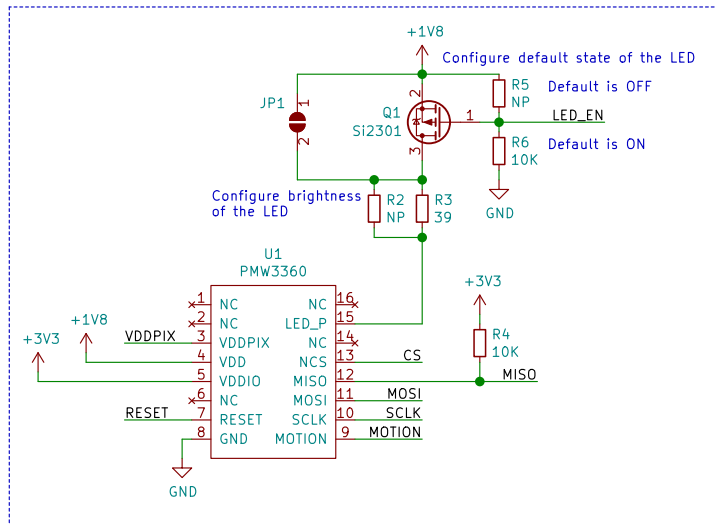
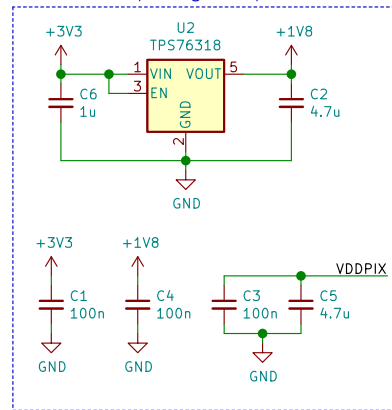


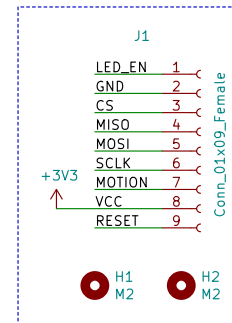
PMW3360 sensor breakout



Voltage regulator, decoupling capacitors



Connectors



<https://asav.dev/pmw3360>

Sheet: /
File: pmw3360.sch

Title: PMW3360 module

Size: A4 Date: 2021-10-16
KiCad E.D.A. kicad 5.1.9+dfsg1-1

Rev: A
Id: 1/1