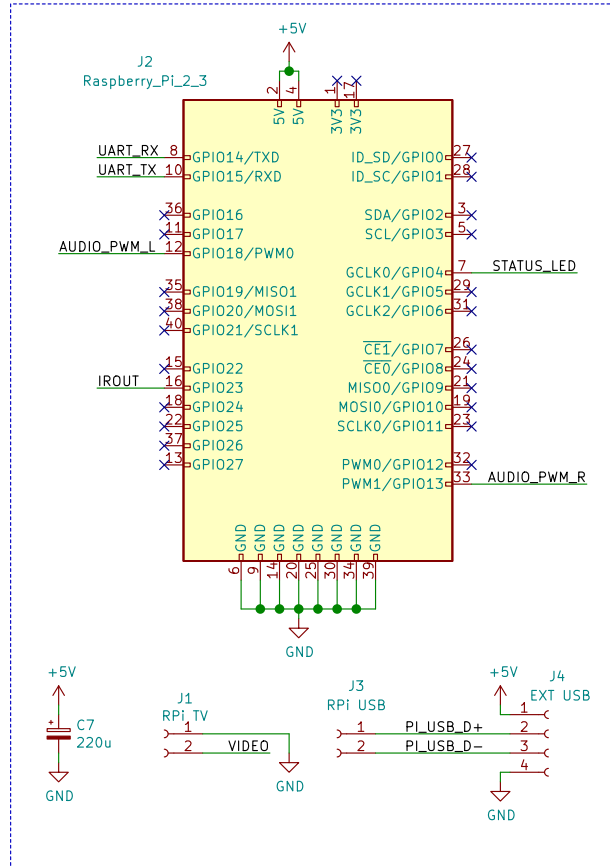
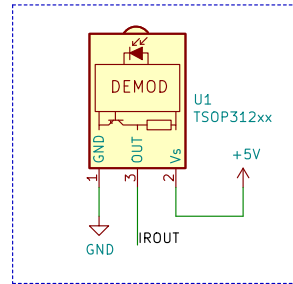


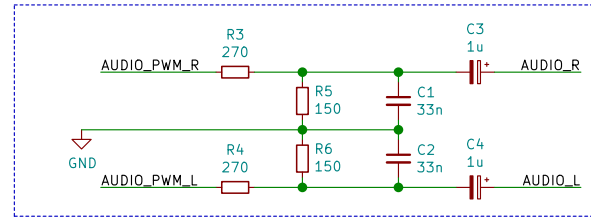
## Raspberry Pi Zero



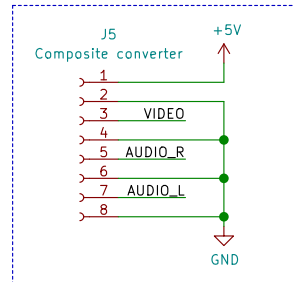
## IR Reciever



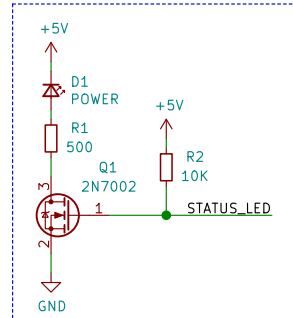
## PWM to Audio conversion



## External connections



## Status LED

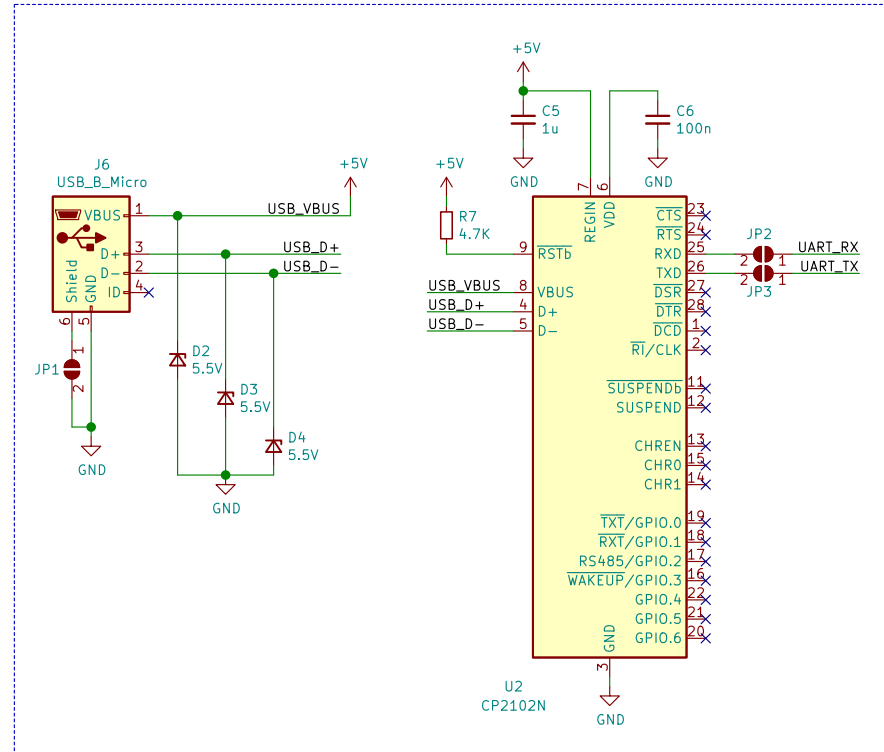


ACTIVE when power is present, but the boot process is not finished.

INACTIVE when the boot is completed.

SINGLE BLINK when remote control is detected.

## USB to Serial (UART) adapter



<https://asav.dev/tvbox/>

Sheet: /  
File: tvbox.sch

**Title: TVBox**

Size: A4 Date: 2022-01-14

KiCad E.D.A. kicad 5.1.9+dfsg1-1

**Rev: B**

Id: 1/1